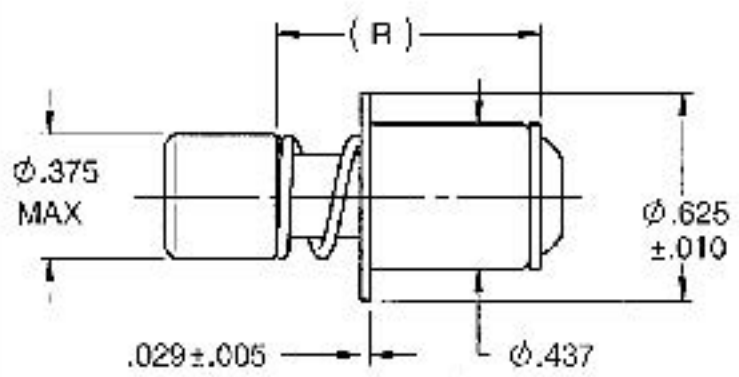


ORIGINAL
 Bad Ink Indicates
Original Copy

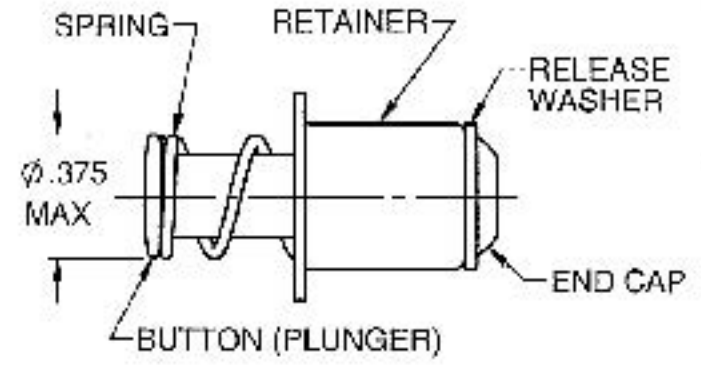
REV **J**

S-0152

DRAWING NO.

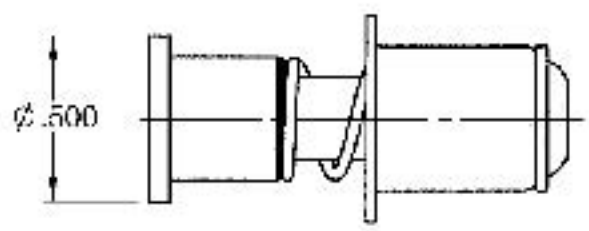


PL501 BUTTON-PROTRUDING

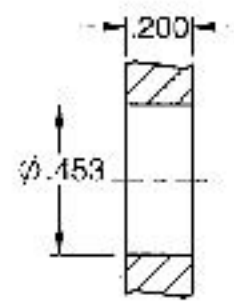


PL401 BUTTON-FLUSH

ASSEMBLY BEFORE MOUNTING



**PL601 BUTTON-FLANGED
ASSEMBLY BEFORE MOUNTING**



**TOP
PANEL**

PART NUMBER CALLOUT

PL () 0 () -1 - ()

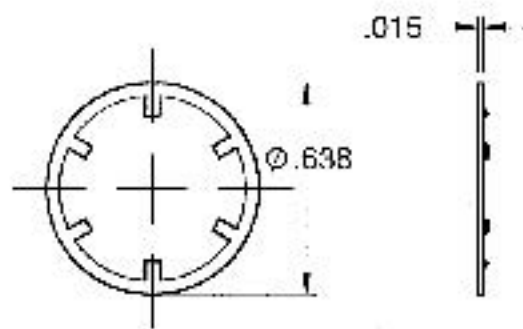
MODEL

LENGTH CODE	GRIP	R REF
1	.050-.150	.710
2	.151-.300	.860
3	.301-.450	1.010
4	.451-.600	1.160
5	.601-.750	1.310
6	.751-.900	1.460
7	.901-1.050	1.610

SIZE
1

CODE	ASSEMBLY
0	COMPLETE ASSEMBLY
1	PLUNGER ASSEMBLY

CODE	TYPE OF BUTTON
4	FLUSH
5	PROTRUDING
6	FLANGED



**RETAINING RING
PI RM-1**

NOTES:
 THIS P/N SUPERCEDES THE FOLLOWING P/N'S:
 PL100, PL200, PL300

THIS DRAWING THE STRUTICAL DESIGN DISCLOSED THEREIN, THE TECHNICAL DATA AND ENGINEERING SERVICE
 REFERENCE THEREIN ARE THE PROPERTY OF HILTI CORPORATION, INC.

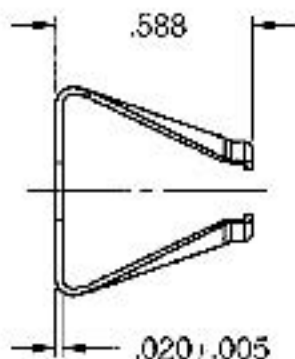
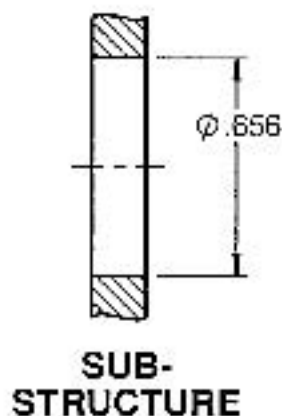
J	DCN 3887	12-23-05
REV	DESCRIPTION/EC NO.	DATE
UNLESS OTHERWISE SPECIFIED ALL DIMENSIONS IN INCHES		
TOLERANCE UNLESS OTHERWISE NOTED:		
X	- 1.05	ANGLES 10.5°
XX	- 1.02	
XXX	- 1.015	


Alcoa Fastening Systems
 ACROSPACE FASTENER DIVISION
 3724 EAST COLUMBIA STREET
 TUCSON, ARIZONA 85714
 PHONE 520 519-7400
 FAX 520 519-7427
 www.alcoafasteners.com

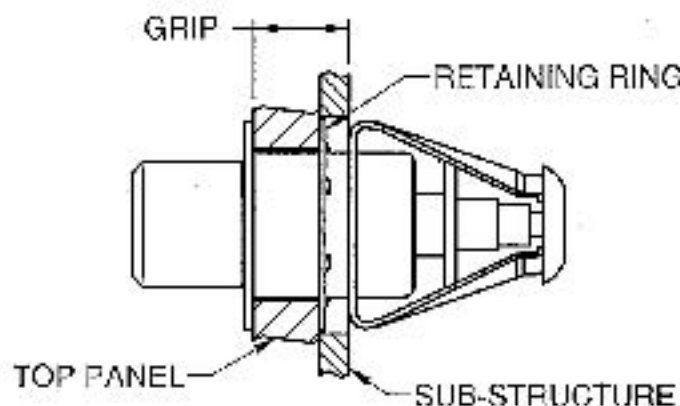
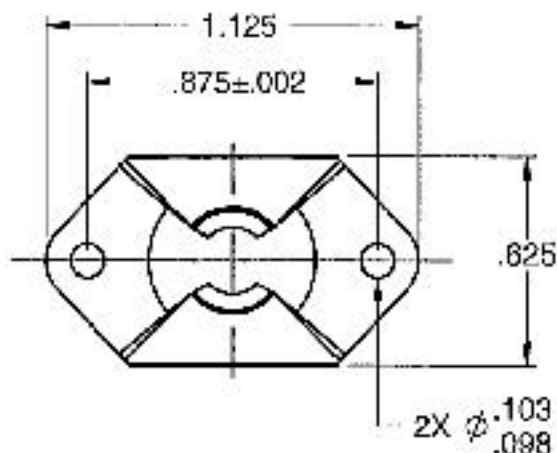
TITLE		PRES-LOC, SIZE 1	
DATE	12/23/2005	PART NUMBER	PL() 0 ()
REV	JLS	DRAWING NO.	S-0152
CHECK		CAGE CODE	OHDW7
SCALE	1.5:1	REV	J
		SHEET 1 OF 2	

ORIGINAL
Red Ink Indicates
Original Copy

REV J
DRAWING NO. S-0152



RECEPTACLE
PLBM-1



COMPLETE ASSEMBLY INCLUDES PLUNGER ASSEMBLY, RETAINING RING AND RECEPTACLE

MATERIAL:

PLUNGER ASSEMBLY:

- BUTTON - 12L14 STEEL PER ASTM A 108 OR ASTM A 29
- SPRING - SPRING STEEL PER ASTM A 682 OR EQUIV.
- RETAINER - 12L14 STEEL PER ASTM A 311 EQUIV.
- RELEASE WASHER - 12L14 STEEL PER ASTM A 108 OR ASTM A 29
- RETAINING RING - SPRING STEEL PER ASTM A 682 OR EQUIV.
- END CAP - 12L14 STEEL PER ASTM A 108 OR ASTM A 29

RECEPTACLE: 1075 CARBON STEEL PER AMS 6120

FINISH:

- BUTTON - NICKEL PLATE PER AMS QQ-N-290, CLASS 1, .0003-.0005 THICKNESS, BRIGHT FINISH
- OTHER COMPONENTS - CADMIUM PLATE (YELLOW) PER AMS-QQ-P-416, TYPE II, CLASS 2.

THIS DRAWING, THE STRUCTURAL DESIGN OR SPECIFICATION, THE TECHNICAL DATA AND ENGINEERING SERVICE REPRESENTED HEREBY ARE THE EXCLUSIVE PROPERTY OF HUCK INTERNATIONAL, INC.

J	DCN 3887	12-23-05	<p>Alcoa Fastening Systems</p> <p>AEROSPACE FASTENER DIVISION 3724 EAST COLUMBIA STREET TUCSON, ARIZONA 85714 PHONE 520 519-7400 FAX 520 519-7427 www.alcofasteners.com</p>	TITLE	PRES-LOC, SIZE 1	
REV	DESCRIPTION	DATE		DATE	PART NUMBER	PL() 0 ()
UNLESS OTHERWISE SPECIFIED ALL DIMENSIONS IN INCHES				DATE	DRAWING NO.	S-0152
TOLERANCE UNLESS OTHERWISE SPECIFIED				DATE	CASE CODE	0HDW7
NO. OF ANGLES ± 0.5°				DATE	SCALE: 1.5:1	SHEET 2 OF 2
X	± 0.05					
XX	± 0.02					
XXX	± 0.015					