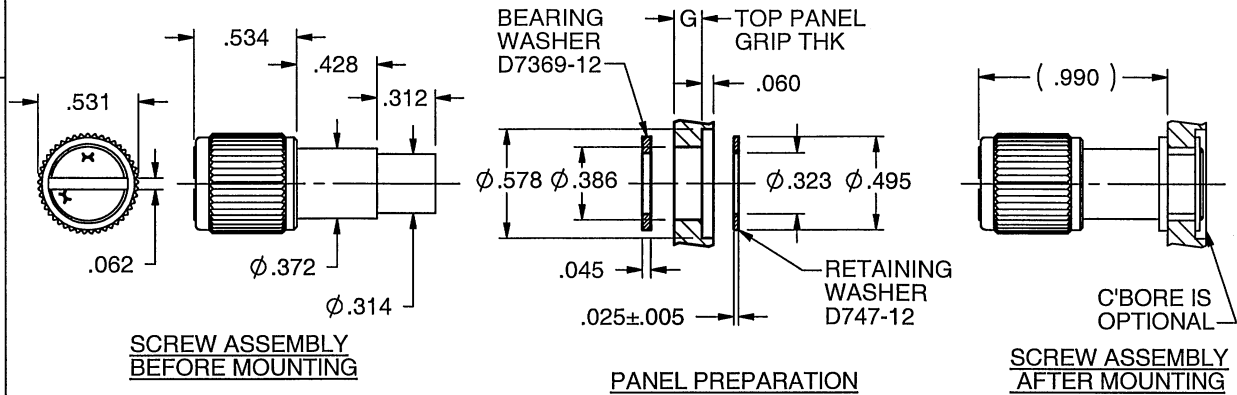


REV **C**
S-2842

DRAWING NO.

ORIGINAL
Red Ink Indicates
Original Copy

THIS DRAWING, THE STRUCTURAL DESIGN DISCLOSED THEREIN, THE TECHNICAL DATA AND ENGINEERING SERVICE REPRESENTED THEREBY ARE THE EXCLUSIVE PROPERTY OF HUCK INTERNATIONAL, INC.



PART NUMBER CALLOUT

FRBHD 7500 -()-()-()

LENGTH CODE	L +.025 -.015	GRIP	L1
1	.745	1	.062-.187
2	.870	2	.188-.312
3	.995	3	.313-.437
4	1.120	4	.438-.562
5	1.245	5	.563-.687

GRIP CODE	G (TOP PANEL GRIP THICKNESS)	K ±.005
A	.020-.031	.125
B	.032-.093	.187
C	.094-.155	.250
D	.156-.217	.312
E	.218-.279	.375
F	.280-.341	.437

THREAD SIZE CODE	THREAD SIZE PER ASME B1.1	LEAD
12	.250-28 UNF-3A	SINGLE
12C	.250-20 UNC-3A	SINGLE (COARSE)

MODEL



SERIES

MATERIAL

STUD: A-286 CRES PER AMS 5737 OR AMS 5732; HEAT TREAT TO 160 KSI MIN ULTIMATE TENSILE STRENGTH
 SLEEVE: 304 CRES PER AMS 5639 OR AMS-QQ-S-763
 KNOB: 303Se CRES PER AMS 5641
 SPRING: 302 CRES PER ASTM-A-313 OR AMS 5688
 RETAINING WASHER: 301 CRES PER AMS 5519 AND ASTM-A-666
 BEARING WASHER: A-286 CRES PER AMS 5525; HEAT TREAT TO 160 KSI MIN ULTIMATE TENSILE STRENGTH; (HRC 31 MIN)

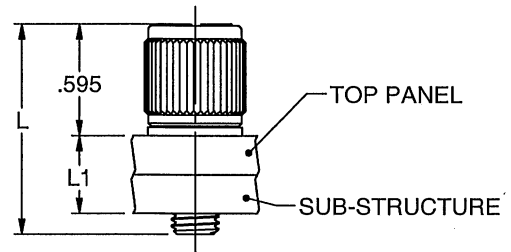
FINISH

ALL COMPONENTS: PASSIVATE PER AMS-QQ-P-35

INSTALLATION TOOLS:

ARBOR PRESS TOOL HW7600-12, REMOVAL ADAPTER TOOL FNR7505-12, NOSE PIECE HN7513-12, PULLER HP7523-12, HANDLE ASSEMBLY TA7533

COMPLETE HAND TOOL ASS'Y: HB603-12 (INCLUDES NOSE PIECE, PULLER & HANDLE)



SCREW ASSEMBLY AFTER MOUNTING

NOTES:

- 1 FOR LONGER LENGTHS, ADD .125 INCREMENTS PER LENGTH CODE; FOR INTERMEDIATE LENGTHS, ADD .062 TO PREVIOUS LENGTH.
- 2 FRBHE7500-()-()-() ASSEMBLY IS IDENTICAL

AVAILABILITY TABLE					
GRIP CODE	12, 12C				
	1	2	3	4	5
A					
B	O				
C	O				
D	O	O			
E	O	O			
F	O	O	O		

- ASSEMBLIES NOT AVAILABLE
- FULLY RETRACTABLE ASSEMBLIES
- ASSEMBLIES NOT FULLY RETRACTABLE (STUD WILL PROTRUDE BELOW MINIMUM TOP PANEL THICKNESS)

C	DCN 4625	09-11-06
REV	DESCRIPTION/EC NO.	DATE

UNLESS OTHERWISE SPECIFIED ALL DIMENSIONS IN INCHES
 TOLERANCE UNLESS OTHERWISE NOTED:
 .X = ±.05 ANGLES ±0.5°
 .XX = ±.02
 .XXX = ±.015



Alcoa Fastening Systems

AEROSPACE FASTENER DIVISION
 3724 EAST COLUMBIA STREET
 TUCSON, ARIZONA 85714
 PHONE 520 519-7400
 FAX 520 519-7427
 www.huckaerospace.com

TITLE TURN-LOC, SIZE 12 & 12C, FLOATING, ALL CRES, LOCKING, .031 RADIAL FLOAT			
DATE 04/05/2005	PART NUMBER FRBHD7500		
DRAWN JLS	DRAWING NO. S-2842		
CHECK 	CAGE CODE OHDW7	REV C	
APPROVE 	SCALE: 1:1	SHEET 1 OF 1	