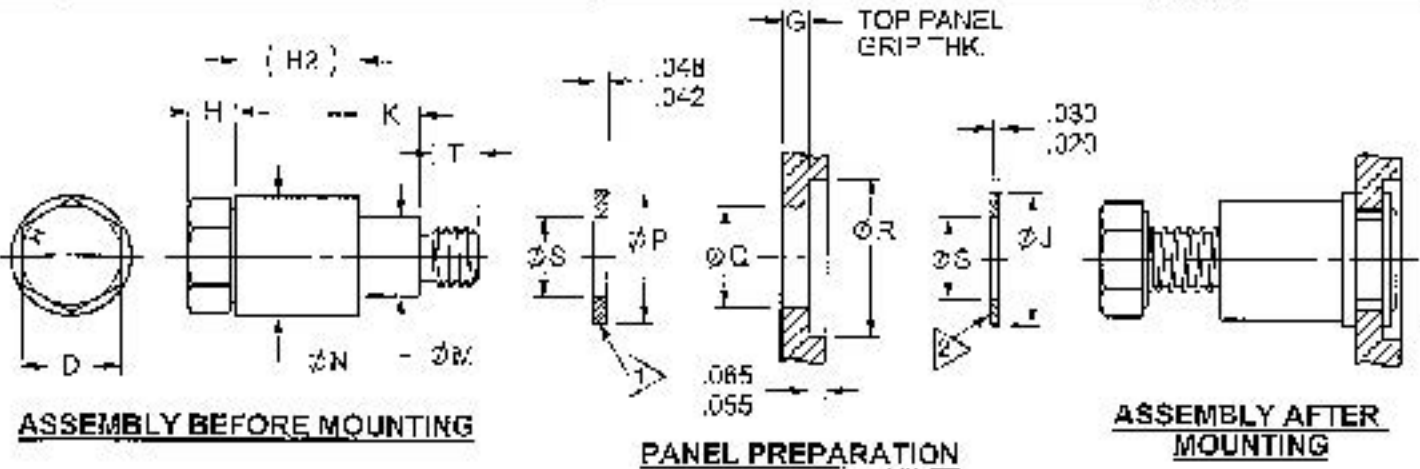


REV F

S-2623

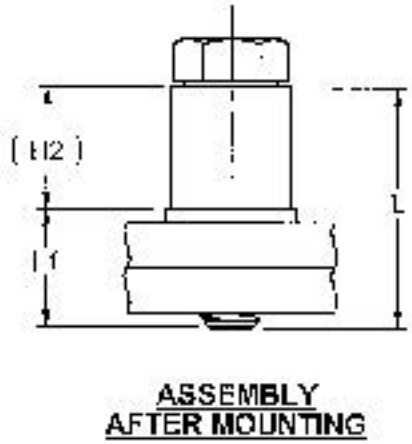
DRAWING NO



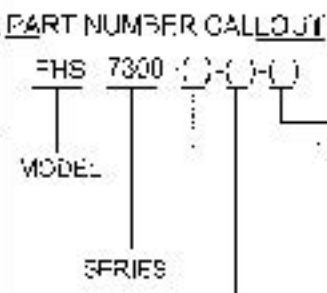
NOTES:

- BEARING WASHER D7369 ()
- RETAINING WASHER D747-()
- 2A THREADS PER ASME B1.1.

| THREAD SIZE CODE | D ±.004 | H | H2 REF | ØJ | ØM L.002 | ØN L.035 | ØP L.015 -0.000 | ØQ L.024 -0.001 | ØR L.020 -0.002 | ØS +.002 | T +.010 |
|------------------|---------|-----------|--------|------|----------|----------|--------------------|--------------------|--------------------|----------|---------|
| 8 | .248 | .134-.138 | .377 | .385 | .215 | .312 | .385 | .281 | .468 | .224 | .203 |
| 10 | .309 | .146-.150 | .384 | .415 | .247 | .375 | .415 | .315 | .500 | .259 | .250 |
| 12 | .371 | .172-.190 | .462 | .495 | .314 | .437 | .495 | .388 | .578 | .324 | .312 |



ORIGINAL
 Red Ink indicates
 Original Copy



| PART NUMBER CALLOUT | LENGTH CODE | L1 | 8 | 10 | 12 | LENGTH CODE | L1 | 8 | 10 | 12 |
|---------------------|-------------|------|-------|-------|-------|-------------|-------|-------|-------|-------|
| FHS 7300 (X)(X)(X) | 1 | .312 | .687 | .696 | N/A | 7 | .687 | 1.062 | 1.071 | 1.150 |
| | 2 | .375 | .750 | .758 | .823 | 8 | .750 | 1.125 | 1.133 | 1.212 |
| | 3 | .437 | .812 | .821 | .900 | 9 | .812 | 1.187 | 1.195 | 1.275 |
| | 4 | .500 | .875 | .883 | .962 | 10 | .875 | 1.250 | 1.258 | 1.357 |
| | 5 | .562 | .937 | .946 | 1.025 | 11 | .937 | 1.312 | 1.321 | 1.400 |
| | 6 | .625 | 1.000 | 1.008 | 1.087 | 12 | 1.000 | 1.375 | 1.383 | 1.462 |

| GRIP CONT. | G (TOP PANEL GRIP THICKNESS) | K ±.005 |
|------------|------------------------------|---------|
| A | .020-.031 | .125 |
| B | .032-.033 | .187 |
| C | .034-.155 | .250 |
| D | .156-.217 | .312 |
| E | .218-.279 | .375 |
| F | .280-.341 | .437 |

| THREAD SIZE CODE | THREAD SIZE | LEAD |
|------------------|----------------|---------|
| 8 | .184-32 UNF-3A | SINGL = |
| 10 | .190-32 UNF-3A | |
| 12 | .250-28 UNF-3A | |

INSTALLATION TOOLS:

(X) INDICATES THREAD SIZE CODE

COMPLETE ASSEMBLY H8603-(X) INCLUDES NOSE PIECE, PULLER, AND HANDLE ASSY

OR

ARBOR PRESS TOOL HW7600-(X),
 NOSE PIECE HN7513-(X),
 PULLER HP7523-(X),
 HANDLE ASSEMBLY TA 7533

F DCN 5677 04-30-09
 REV DESCRIPTION REC NO. DATE
 UNLESS OTHERWISE SPECIFIED ALL DIMENSIONS IN INCHES
 TOLERANCE UNLESS OTHERWISE NOTED:
 X = ±.05 ANGLES +0.5°
 XX = ±.02
 XXX = ±.015

Alcoa Fastening Systems
 AEROSPACE FASTENER DIVISION
 3724 EAST COLUMBIA STREET
 TUCSON, ARIZONA 85714
 PHONE 520 519-7400
 FAX 520 519-7427
 www.alcoafasteners.com

CAPTIVE SCREW, HEX HEAD, ALL CRETS, SPRING-LOADED, FLOATING

| | | |
|------------|-------------|--------------|
| REV 4/2004 | PART NUMBER | FHS7300 |
| DESIGN JLS | DRAWING NO. | S-2623 |
| DATE 07/03 | SCALE | CHDW7 REV F |
| DATE | SCALE: 1:1 | SHEET 1 OF 2 |

DRAWING IS UNCLASSIFIED UNLESS INDICATED OTHERWISE BY A NOTICE IN THE DRAWING OR BY A NOTICE IN THE ORIGINAL DOCUMENT. ALL RIGHTS RESERVED BY ALCOA FASTENING SYSTEMS, INC.

ORIGINAL
Red Ink Indicates
Original Copy

REV **F**

DRAWING NO. **S-2623**



DRAWING NO.

THIS DRAWING, THE STRUCTURAL DESIGN, AND THE TECHNICAL DATA AND DIMENSIONS THEREON ARE THE EXCLUSIVE PROPERTY OF HUCK INTERNATIONAL, INC.

| THREAD LENGTH AVAILABILITY TABLE | | | | | | | | | | | | |
|----------------------------------|--------|------|----------|---|---|---|---|---|---|----|----|----|
| GRIP CODE | SIZE 8 | | | | | | | | | | | |
| | 1 | 2 | 3 | 4 | 5 | 6 | 7 | 8 | 9 | 10 | 11 | 12 |
| A | .147 | .210 | | | | | | | | | | |
| B | .147 | .210 | T = .203 | | | | | | | | | |
| C | .147 | .210 | | | | | | | | | | |
| D | .147 | .210 | | | | | | | | | | |
| E | .147 | .210 | | | | | | | | | | |
| F | .147 | .210 | | | | | | | | | | |

| THREAD LENGTH AVAILABILITY TABLE | | | | | | | | | | | | |
|----------------------------------|---------|------|----------|---|---|---|---|---|---|----|----|----|
| GRIP CODE | SIZE 10 | | | | | | | | | | | |
| | 1 | 2 | 3 | 4 | 5 | 6 | 7 | 8 | 9 | 10 | 11 | 12 |
| A | .147 | .210 | | | | | | | | | | |
| B | .147 | .210 | T = .250 | | | | | | | | | |
| C | .147 | .210 | | | | | | | | | | |
| D | .147 | .210 | | | | | | | | | | |
| E | .147 | .210 | | | | | | | | | | |
| F | .147 | .210 | | | | | | | | | | |

| THREAD LENGTH AVAILABILITY TABLE | | | | | | | | | | | | |
|----------------------------------|---------|------|----------|---|---|---|---|---|---|----|----|----|
| GRIP CODE | SIZE 12 | | | | | | | | | | | |
| | 1 | 2 | 3 | 4 | 5 | 6 | 7 | 8 | 9 | 10 | 11 | 12 |
| A | .210 | .272 | | | | | | | | | | |
| B | .210 | .272 | T = .312 | | | | | | | | | |
| C | .210 | .272 | | | | | | | | | | |
| D | .210 | .272 | | | | | | | | | | |
| E | .210 | .272 | | | | | | | | | | |
| F | .210 | .272 | | | | | | | | | | |

 ASSEMBLIES NOT AVAILABLE
 FULL THREAD LENGTH ASSEMBLIES AVAILABLE; OTHERWISE, LENGTH AS INDICATED

MATERIAL

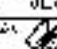
- STUD: A-286 CRES PER AMS 5737, H.T TO 160 KSI MIN.
- SLEEVE: 304 CRES PER AMS 5639 AND AMS-QQ-S-763
- SPRING: 302 CRES PER AMS 5688 AND ASTM-A-313 OR EQUIV.
- RETAINING WASHER: 301 CRES PER AMS 5517, AMS 5519 AND ASTM-A-686, OR EQUIV.
- BEARING WASHER: A-286 CRES PER AMS 5707 OR EQUIV., H.T TO 160 KSI MIN.

FINISH

- BEARING WASHER: CAD PLATE PER AMS-QQ-P-416, TYPE 11, CLASS 3 (YELLOW).
- ALL OTHER COMPONENTS: PASSIVATE PER AMS QQ-P-35

| | | |
|---|--------------------|--------------|
| F | DCN 5977 | 04-30-08 |
| REV | DESCRIPTION/EC NO. | DATE |
| UNLESS OTHERWISE SPECIFIED ALL DIMENSIONS IN INCHES | | |
| TOLERANCE UNLESS OTHERWISE NOTED: | | |
| X | = -.00 | ANGLES ±0.5° |
| XX | = -.02 | |
| XXX | = .015 | |


Alcoa Fastening Systems
 AEROSPACE FASTENER DIVISION
 3724 EAST COLUMBIA STREET
 TUCSON, ARIZONA 85714
 PHONE 520 519-7400
 FAX 520 519-7427
www.alcoafasteners.com

| | | | |
|---|-------------------------------|-----------------|--|
| TITLE CAPTIVE SCREW, HEX HEAD, ALL CRES, SPRING-LOADED, FLOATING | | | |
| DATE 10/14/2004 | REV. NUMBER FHS7300 | | |
| DRW JLS | DRAWING NO. S-2623 | | |
| CHKD  | CASE CODE OHDW7 | REV F | |
| SCALE: 1:0.56668/31 FEET 2 OF 2 | | | |